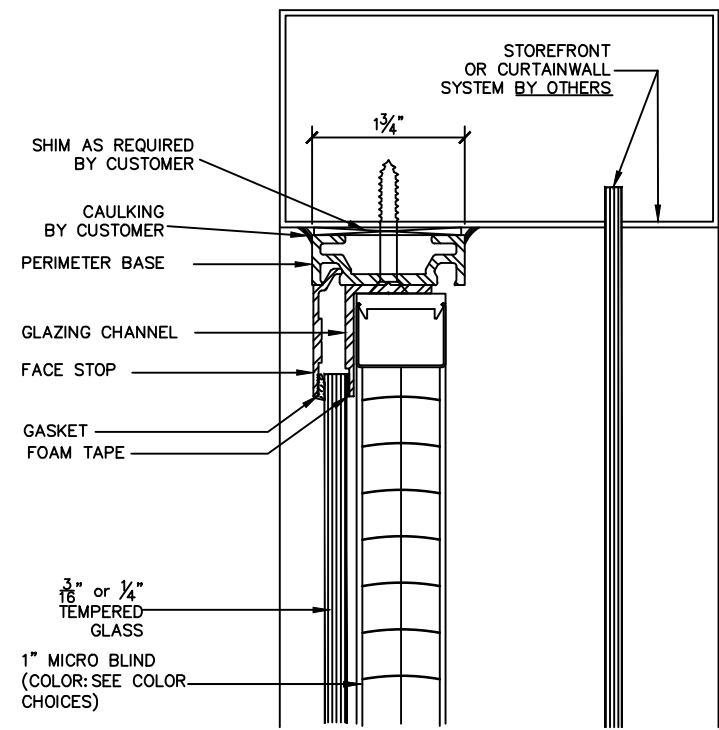
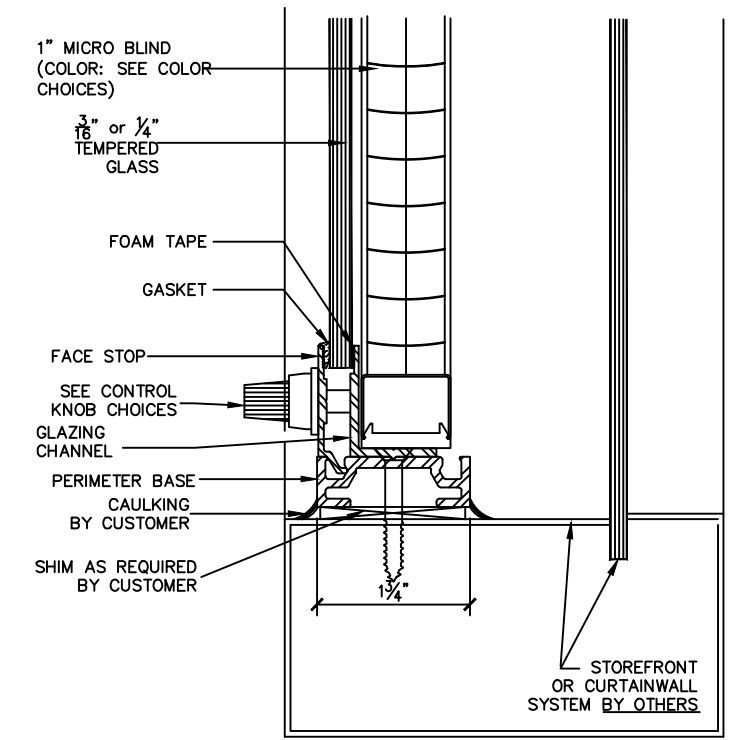


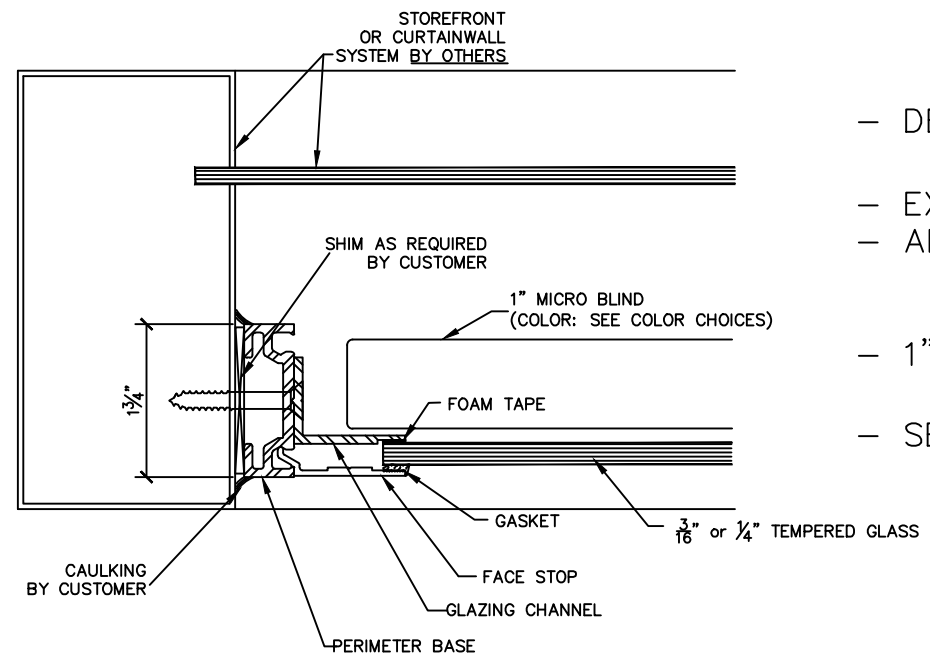
ELEVATION - INTERIOR VIEW
 REF: SCALE: 3" = 1'-0"



SECTION "A"
 REF: FULL SIZE



SECTION "B"
 REF: FULL SIZE



SECTION "C"
 REF: FULL SIZE

NOTES

- DESIGNED TO FIT $\frac{3}{16}$ " or $\frac{1}{4}$ " TEMPERED GLASS ON INTERIOR (BY CUSTOMER)
- EXTERIOR CURTAINWALL BY OTHERS
- ALUMINUM FRAME IN CLEAR or DARK BRONZE ANODIZED ALUMINUM, PAINTED OR POWDER COATED FINISH
- 1" MICROBLIND (COLOR: SEE COLOR CHOICES)
- SEE CONTROL KNOB CHOICES

ALPHA
 Door & Rail, Inc. 3355 S. Raider Drive
 Hurst, Texas 76053
 817-358-8687
 800-279-8428

REVISIONS ADR CHECK: DRAWN: JOB NO:	JOB NAME: 1" BLIND BEHIND CURTAINWALL
	LOCATION:
	ARCHITECT:
	CUSTOMER:
DATE:	SHEET NO: 1