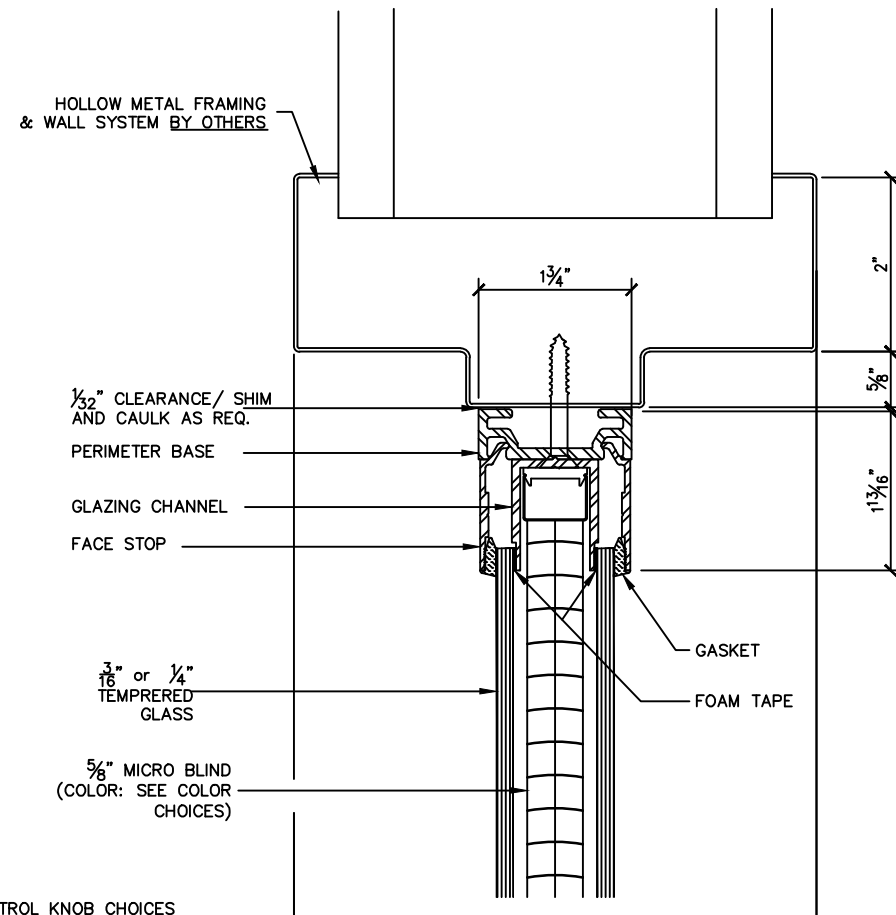
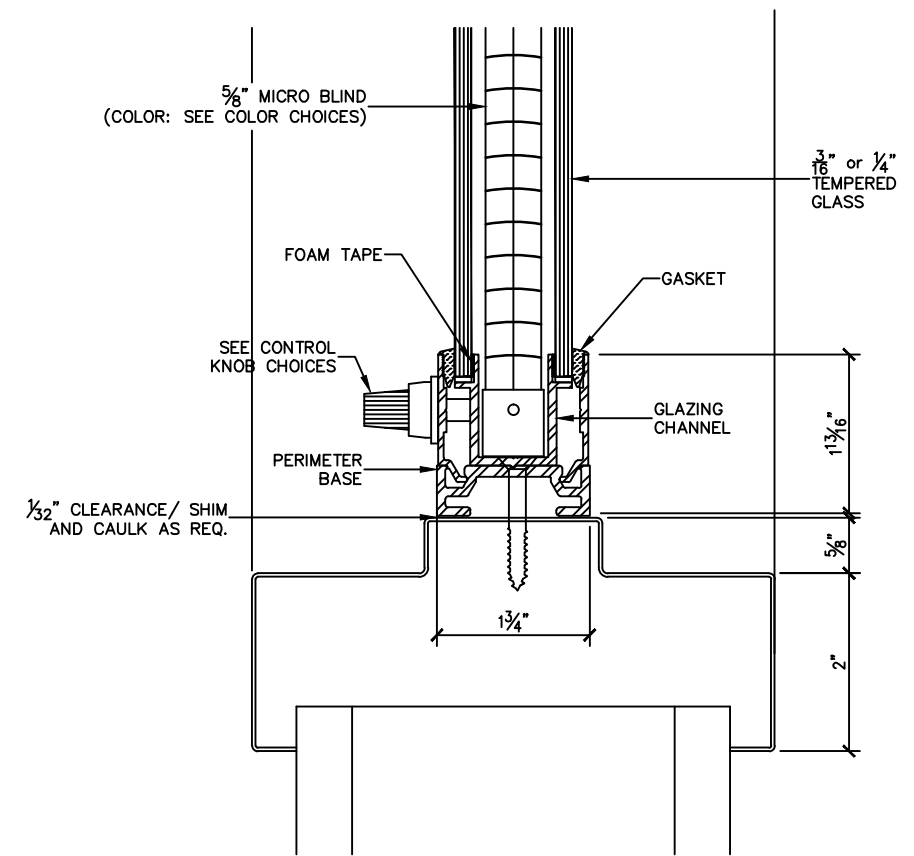


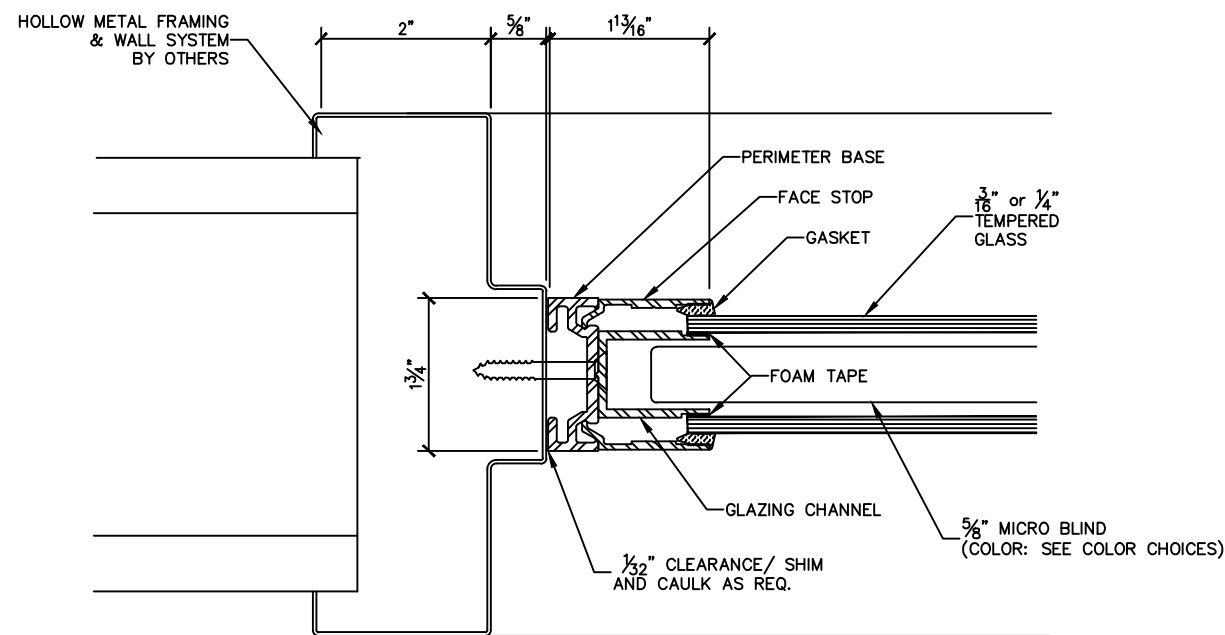
ELEVATION
REF: SCALE: 3" = 1'-0"



SECTION "A"
REF: FULL SIZE



SECTION "B"
REF: FULL SIZE



SECTION "C"
REF: FULL SIZE

NOTES

- DESIGNED TO FIT $\frac{3}{16}$ " or $\frac{1}{4}$ " TEMPERED GLASS ON INTERIOR & EXTERIOR (BY CUSTOMER)
- ALUMINUM FRAME IN CLEAR or DARK BRONZE ANODIZED ALUMINUM, PAINTED OR POWDER COATED FINISH
- $\frac{5}{8}$ " MICROBLIND (COLOR: SEE COLOR CHOICES)
- SEE CONTROL KNOB CHOICES

ALPHA
Door & Rail, Inc. 3355 S. Raider Drive
Hurst, Texas 76053
817-358-8687
800-279-8428

REVISIONS	JOB NAME: FRAMED BLIND UNIT IN HOLLOW METAL FRAME WITH RABBET
ADR CHECK:	LOCATION:
DRAWN:	ARCHITECT:
JOB NO:	CUSTOMER:
	DATE:
	SHEET NO: 1