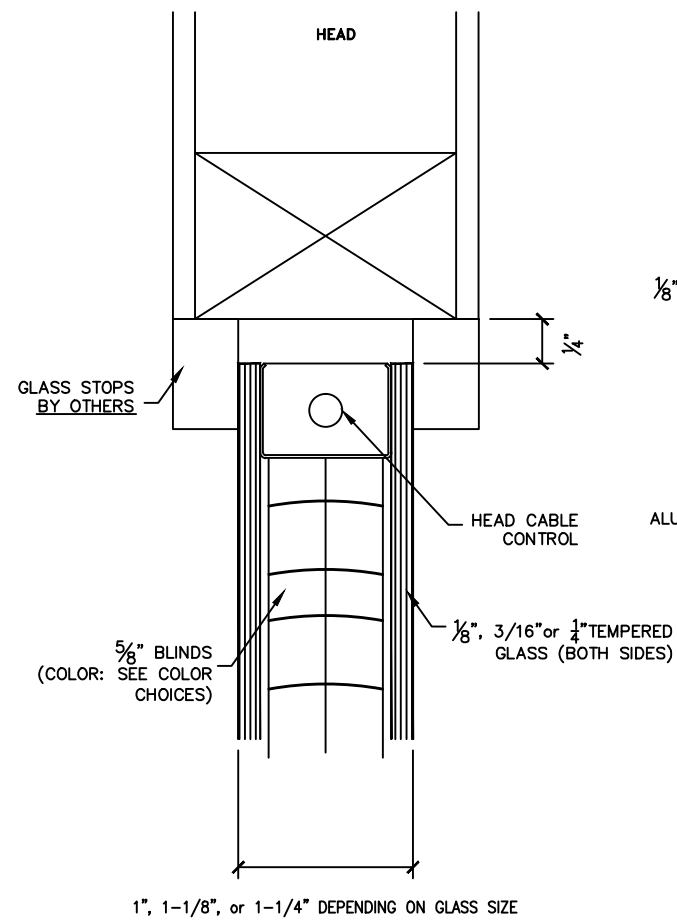
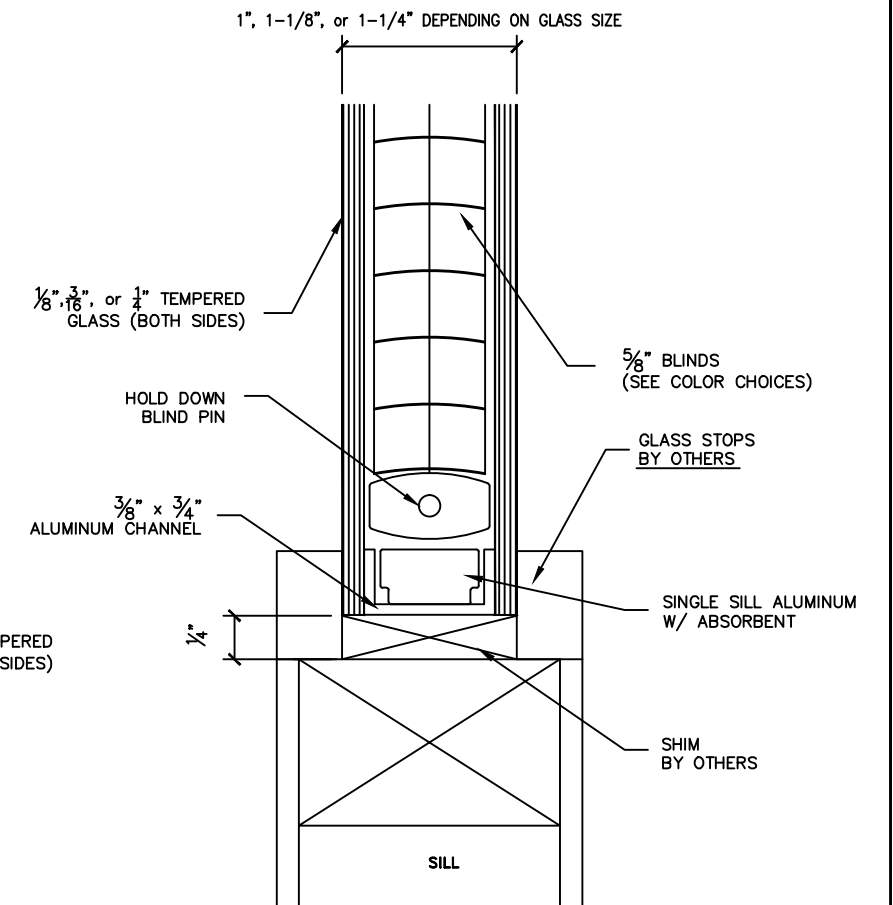


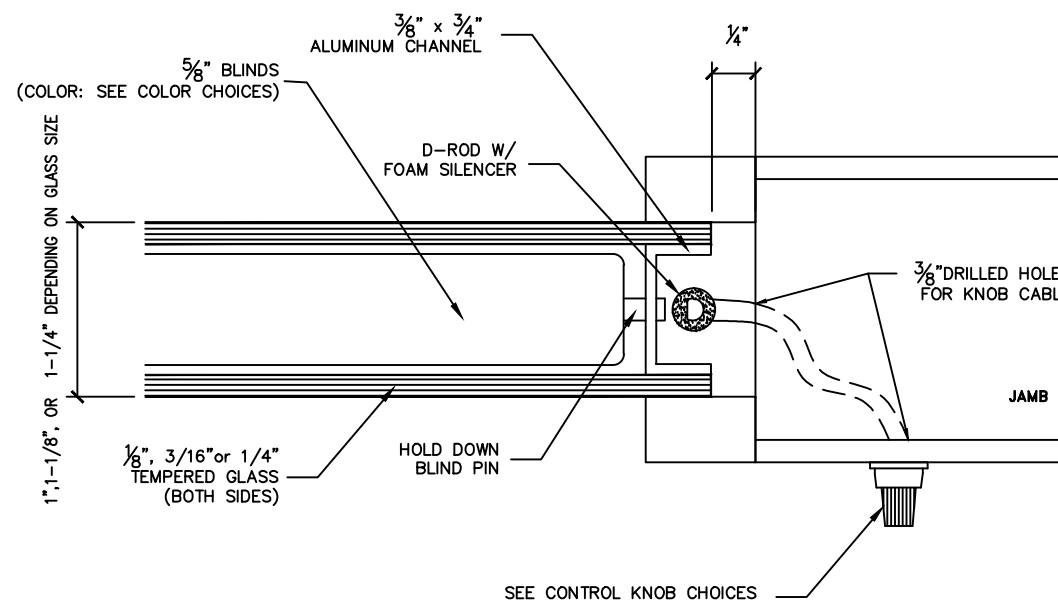
ELEVATION
REF: SCALE: NTS



SECTION "A"
REF: FULL SIZE



SECTION "B"
REF: FULL SIZE



SECTION "C"
REF: FULL SIZE

NOTES

- WITH 1/8", 3/16" or 1/4" TEMPERED GLASS INTERIOR & EXTERIOR
- GLASS SIZE WILL DETERMINE OVERALL THICKNESS (1", 1 1/8", OR 1 1/4" RESPECTIVELY)
- 5/8" MICROBLIND (COLOR: SEE COLOR CHOICES)
- SEE CONTROL KNOB CHOICES

ALPHA
Door & Rail, Inc. 3355 S. Raider Drive
Hurst, Texas 76053
817-358-8687
800-279-8428

REVISIONS	JOB NAME: SEALED UNIT WITH 5/8" BLINDS
ADR CHECK:	LOCATION:
DRAWN:	ARCHITECT:
JOB NO:	CUSTOMER:
	DATE:
	SHEET NO: 1