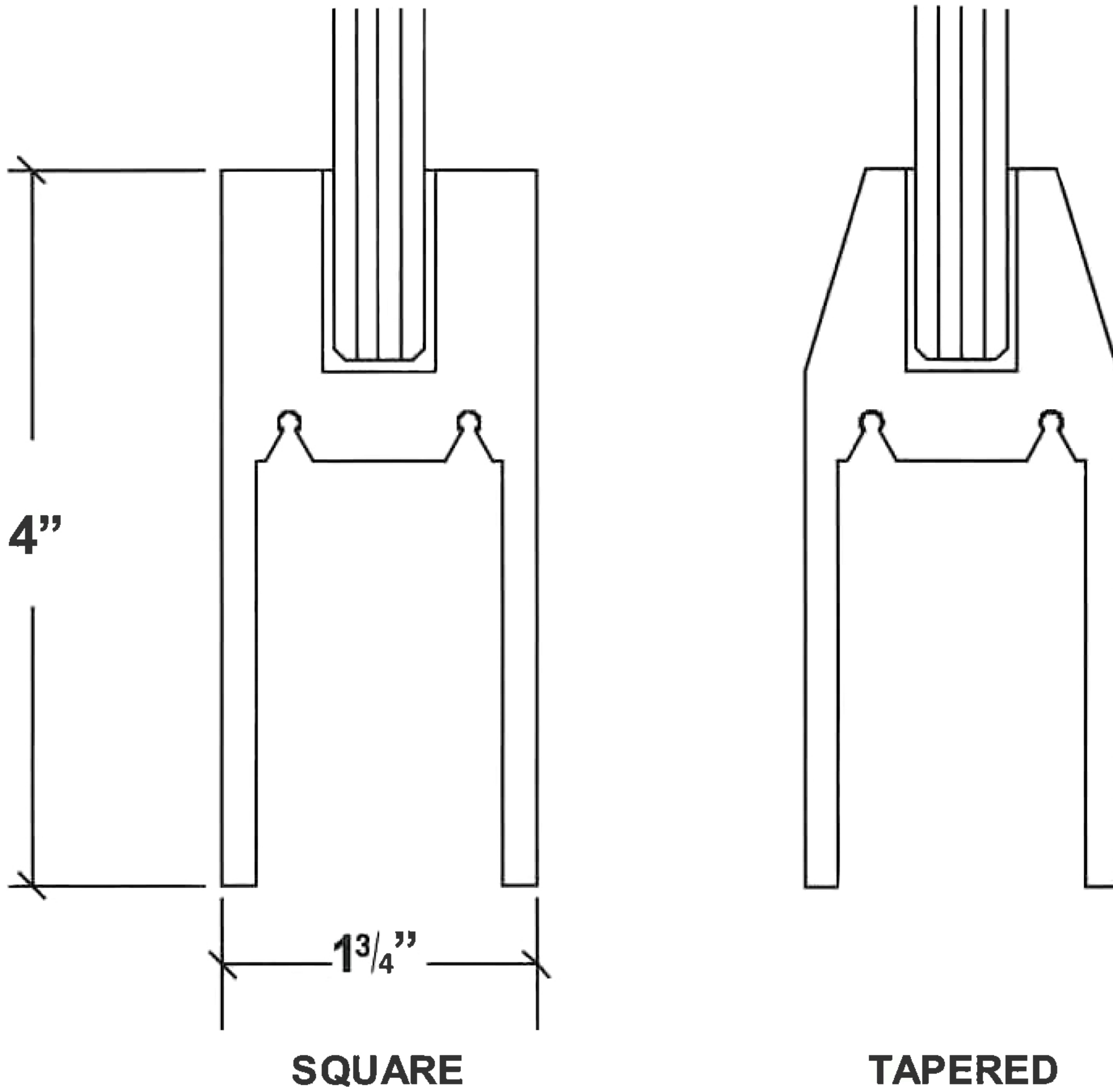


# TEMPERED GLASS SWING ENTRANCES

## ARCHITECTURAL RAIL PROFILES



### RAIL SIZES

From 1 3/4" x 3 1/2" up to 1 3/4" x 12". Alpha Door and Rail Inc.'s standard rail size is 1 3/4" x 4". All rails can be used in number of different combinations of continuous and patch (corner) rails. Rails are made of extruded aluminum with cladding if required and with removable endcaps to match the specified finish. Rails are typical to Type P, BP and WS doors. Rails are typical to Type P, BP and WS doors.

### NARROW STILE ENTRANCES

#### STILE DETAIL

Aluminum door stile runs the height of the door and ties into the top and bottom rails. Stiles are typical to type WS doors.

